

GETTING



NC5')*+)K ?
NC5')*+)L ?
NC5')*+*K ?
NC5')*+*L ?

EN User Manual
CjYb

ZANUSSI

SAFETY INFORMATION

Before the installation and use of the appliance, carefully read the supplied instructions. The manufacturer is not responsible for any injuries or damages that are the result of incorrect installation or usage. Always keep the instructions in a safe and accessible location for future reference.

CHILDREN AND VULNERABLE PEOPLE SAFETY

.



- Ensure that the appliance is switched off before replacing the lamp to avoid the possibility of electric shock.
- Do not use a steam cleaner to clean the appliance.
- Do not use harsh abrasive cleaners or sharp metal scrapers to clean the glass door since they can scratch the surface, which may result in shattering of the glass.
- If the mains power supply cable is damaged, it must be replaced by the manufacturer, its Authorised Service Centre or similarly qualified persons to avoid an electrical hazard.
- To remove the shelf supports first pull the front of the shelf support and then the rear end away from the side walls. Install the shelf supports in the opposite sequence.
- The means for disconnection must be incorporated in the fixed wiring in accordance with the wiring rules.

SAFETY INSTRUCTIONS

INSTALLATION



WARNING! Only a qualified person must install this appliance.

- Remove all the packaging.
- Do not install or use a damaged appliance.
- Follow the installation instruction supplied with the appliance.
- Always take care when moving the appliance as it is heavy. Always use safety gloves and enclosed footwear.
- Do not pull the appliance by the handle.
- Keep the minimum distance from the other appliances and units.
- Make sure that the appliance is installed below and adjacent safe structures.
- The sides of the appliance must stay adjacent to appliances or to units with the same height.
- The appliance is equipped with an electric cooling system. It must be operated with the electric power supply.
- Make sure that the parameters on the rating plate are compatible with the electrical ratings of the mains power supply.
- Always use a correctly installed shockproof socket.
- Do not use multi-plug adapters and extension cables.
- Make sure not to cause damage to the mains plug and to the mains cable. Should the mains cable need to be replaced, this must be carried out by our Authorised Service Centre.
- Do not let mains cables touch or come near the appliance door, especially when the door is hot.
- The shock protection of live and insulated parts must be fastened in such a way that it cannot be removed without tools.
- Connect the mains plug to the mains socket only at the end of the installation. Make sure that there is access to the mains plug after the installation.
- If the mains socket is loose, do not connect the mains plug.
- Do not pull the mains cable to disconnect the appliance. Always pull the mains plug.
- Use only correct isolation devices: line protecting cut-outs, fuses (screw type fuses removed from the holder), earth leakage trips and contactors.
- The electrical installation must have an isolation device which lets you disconnect the appliance from the mains at all poles. The isolation device

ELECTRICAL CONNECTION



WARNING! Risk of fire and electrical shock.

- All electrical connections should be made by a qualified electrician.
- The appliance must be earthed.

must have a contact opening width of minimum 3 mm.

- This appliance complies with the E.E.C. Directives.

USE



WARNING! Risk of injury, burns and electrical shock or explosion.

- This appliance is for household use only.

- Disconnect the appliance from the mains supply.
- Cut off the mains electrical cable close to the appliance and dispose of it.
- Remove the door catch to prevent children or pets from becoming trapped in the appliance.

SERVICE

- To repair the appliance contact an Authorised Service Centre.
- Use original spare parts only.

PRODUCT DESCRIPTION

GENERAL OVERVIEW



- 1 Control panel
- 2 Knob for the oven functions
-

normal. Make sure that the airflow in the room is sufficient.

DAILY USE



WARNING! Refer to Safety chapters.

ACTIVATING AND DEACTIVATING THE APPLIANCE



It depends on the model if your appliance has lamps, knob symbols or indicators:

- The lamp turns on when the appliance operates.
- The symbol shows whether the knob controls the oven functions or the temperature.
- The indicator turns on when the oven heats up.

1. Turn the knob for the oven functions to select an oven function.
2. Turn the knob for the temperature to select a temperature.
3. To deactivate the appliance, turn the knobs for the oven functions and temperature to the off position.

OVEN FUNCTIONS

Oven function

Application

Off position

The appliance is off.



DISPLAY



- A. Function indicators
- B. Time display
- C. Function indicator

BUTTONS

Button	Function	Description
—	MINUS	To set the time.
⌚	CLOCK	To set a clock function.
+	PLUS	To set the time.

CLOCK FUNCTIONS

CLOCK FUNCTIONS TABLE

Clock function	Application
⌚	TIME OF DAY To set, change or check the time of day.
→	DURATION To set how long the appliance operates.
→	END To set when the appliance deactivates.
→ →	TIME DELAY To combine DURATION and END function.
	MINUTE MINDER To set countdown time. This function has no effect on the operation of the appliance. You can set the MINUTE MINDER at any time, also when the appliance is off.

SETTING AND CHANGING THE TIME

You must set the time before you operate the oven.

The ⌚ flashes when you connect the appliance to the electrical supply, when there was a power cut or when the timer is not set.

Press the + or — to set the correct time.

After approximately five seconds, the flashing stops and the display shows the time of day you set.

To change the time of day press ⌚ again and again until ⌚ starts to flash.

SETTING THE DURATION

1. Set an oven function and temperature.
2. Press ⌚ again and again until |→| starts to flash.
3. Press + or — to set the DURATION time.

The display shows **|>|**.

- When the time ends, **|>|** flashes and an acoustic signal sounds. The appliance deactivates automatically.
- Press any button to stop the acoustic signal.
- Turn the knob for the oven functions and the knob for the temperature to the off position.

SETTING THE END

- Set an oven function and temperature.
- Press **⌚** again and again until **→|** starts to flash.
- Press **+** or **-** to set the time.

The display shows **→|**.

- When the time ends, **→|** flashes and an acoustic signal sounds. The appliance deactivates automatically.
- Press any button to stop the signal.
- Turn the knob for the oven functions and the knob for the temperature to the off position.

SETTING THE TIME DELAY

- Set an oven function and temperature.
- Press **⌚** again and again until **|>|** starts to flash.
- Press **+** or **-** to set the time for DURATION.
- Press **⌚**.

USING THE ACCESSORIES



WARNING! Refer to Safety chapters.

INSERTING THE ACCESSORIES

Wire shelf:

Push the shelf between the guide bars of the shelf support and make sure that the feet point down.

- Press **+** or **-** to set the time for END.
- Press **⌚** to confirm.

Appliance turns on automatically later on, works for the set DURATION time and stops at the set END time. At the set time an acoustic signal sounds.

- The appliance deactivates automatically. Press any button to stop the signal.
- Turn the knob for the oven functions and the knob for the temperature to the off position.

SETTING THE MINUTE MINDER

- Press **⌚** again and again until **→|** starts to flash.
- Press **+** or **-** to set the necessary time. The Minute Minder starts automatically after 5 seconds.
- When the set time ends, an acoustic signal sounds. Press any button to stop the acoustic signal.
- Turn the knob for the oven functions to the off position.

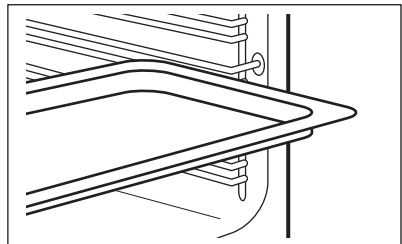
CANCELLING THE CLOCK FUNCTIONS

- Press the **⌚** again and again until the necessary function indicator starts to flash.
- Press and hold **-**.

The clock function goes out after some seconds.

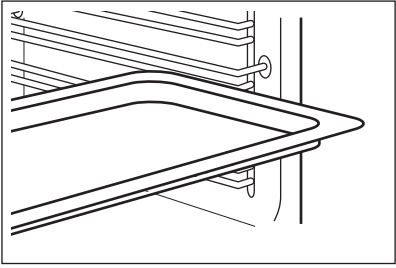
Deep pan:

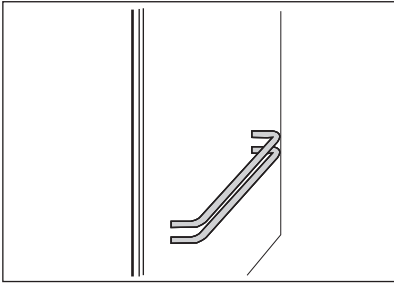
Push the deep pan between the guide bars of the shelf support.



Wire shelf and deep pan together:

Push the deep pan between the guide bars of the shelf support and the wire shelf on the guide bars above.





2. Put the deep pan into the oven on the necessary shelf position.

ADDITIONAL FUNCTIONS

COOLING FAN

When the appliance operates, the cooling fan activates automatically to keep the surfaces of the appliance cool. If you deactivate the appliance, the cooling fan can continue to operate until the appliance cools down.

SAFETY THERMOSTAT

Incorrect operation of the appliance or defective components can cause dangerous overheating. To prevent this, the oven has a safety thermostat which interrupts the power supply. The oven activates again automatically when the temperature drops.

HINTS AND TIPS



WARNING! Refer to Safety chapters.



The temperature and baking times in

BAKING AND ROASTING TABLE

Cakes

True Fan Cooking

Food

Time (min)

True Fan Cooking

Food	Temperature (°C)	Shelf position	Time (min)	Comments
Buns ¹⁾	190	3	12 - 20	In a baking tray

Flans

True Fan Cooking

Food

Food	True Fan Cooking		Time (min)	Comments
	Temperature (°C)	Shelf position		
Pheasant	175	2	90 - 120	Whole

Food	Quantity		Temperature (°C)	Time (min)		Shelf position
	Pieces	(g)		1st side	2nd side	
Fish fillet	4	400	max.	12 - 14	10 - 12	4
Toasted sandwiches	4 - 6	-	max.	5 - 7	-	4
Toast	4 - 6	-	max.	2 - 4	2 - 3	4

TURBO GRILLING

Beef

Food	Quantity	Temperature (°C)	Time (min)	Shelf position
------	----------	------------------	------------	----------------

Roast beef or fillet,

rare 10.5 m 312.5434 | 103.5670594 9.5ion

Lamb

Food	Quantity (kg)	Temperature (°C)	Time (min)	Shelf position
Leg of lamb, roast lamb	1 - 1.5	150 - 170	100 - 120	1 or 2
Saddle of lamb	1 - 1.5	160 - 180	40 - 60	1 or 2

Poultry

Food	Quantity (kg)	Temperature (°C)	Time (min)	Shelf position
------	---------------	------------------	------------	----------------


Food

Quantity (g)

Defrosting time

- To clean metal surfaces, use a dedicated cleaning agent.
- Clean the appliance interior after each use. Fat accumulation or other food remains may result in a fire. The risk is higher for the grill pan.
- Clean stubborn dirt with a special oven cleaner.
- Clean all accessories after each use and let them dry. Use a soft cloth with warm water and a cleaning agent.
- If you have nonstick accessories, do not clean them using aggressive agents, sharp-edged objects or a dishwasher. It can cause damage to the nonstick coating.

STAINLESS STEEL OR ALUMINIUM APPLIANCES


-  Clean the oven door with a damp cloth or sponge only. Dry it with a soft cloth. Do not use steel wool, acids or abrasive materials as they can damage the oven surface. Clean the oven control panel with the same precautions.

CLEANING THE DOOR GASKET

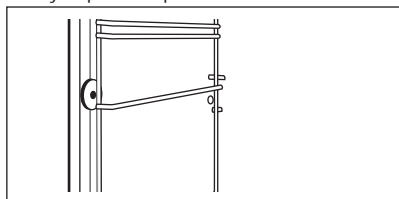
- Regularly do a check of the door gasket. The door gasket is around the frame of the oven cavity. Do not use the appliance if the door gasket is damaged. Contact an Authorised Service Centre.
- To clean the door gasket, refer to the general information about cleaning.

REMOVING THE SHELF SUPPORTS AND REMOVING THE CATALYTIC PANELS

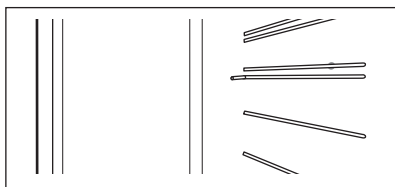
To clean the oven, remove the shelf supports and remove the catalytic panels.

-  **CAUTION!** Be careful when you remove the shelf supports. The catalytic panels are not attached to the oven walls and can fall out when you remove the shelf supports.


1. Pull the front of the shelf support away from the side wall. Hold the rear shelf runners and catalytic panel in place with the other hand.




2. Pull the rear end of the shelf support away from the side wall and remove it.





Install the shelf supports in the opposite sequence.


-  The retaining pins on the telescopic runners must point to the front.

CATALYTIC CLEANING

-  **CAUTION!** Do not clean the catalytic surface with oven sprays, abrasive cleaning agents, soap or other cleaning agents. This will damage the catalytic surface.


-  Spots or discolouration of the catalytic surface have no effect on catalytic properties.

-  **WARNING!** Keep children away when you clean the oven at a high temperature. The oven surface becomes very hot and there is a risk of burns.

-  Before activating the catalytic cleaning remove all the accessories from the oven.

The walls with a catalytic coating are self-cleaning. They absorb fat which collects on the walls while the appliance operates.

To support the self-cleaning procedure, heat the empty oven on a regular basis.

1. Clean the oven floor with warm water and washing up liquid, then dry it.
2. Set the function .
3. Set the oven temperature to 250 °C and let the oven operate for 1 hour.
4. When the appliance is cool, clean it with a soft and moist sponge.

CLEANING THE OVEN DOOR

The oven door has two glass panels. You can remove the internal glass panel to clean it.

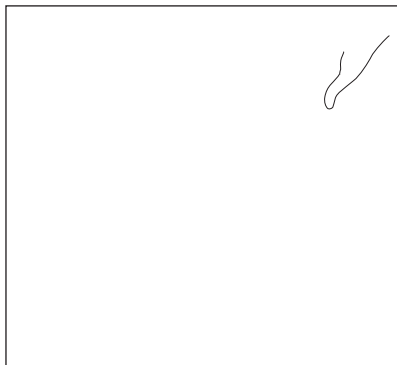


CAUTION! Do not use the appliance without the internal glass panel.

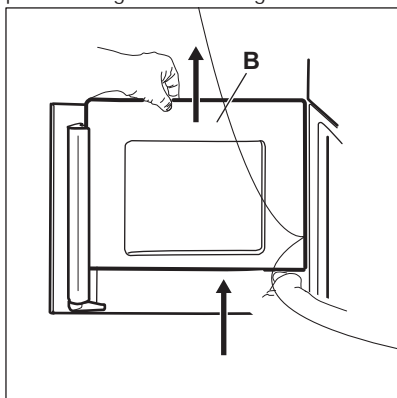


The direction in which you open the door depends on your oven model. You open the door from the right side in some models and from the left side in others.

1. Press the buttons at the sides of the door trim (A) on the upper cover and pull it upwards to remove it.



2. Hold the inner glass B tightly with both hands and slide it upwards to remove it from its initial position. Make sure that you tightly hold glass B to prevent the glass from falling.



3. Clean the door with a wet sponge and rub it dry with a soft cloth. Do not use steel wool, acids or abrasive cleaning agents because they can damage the surface.

When the oven door is clean, install the glass panel in the opposite sequence. The screen-printing zone must face the inner side of the door. Make sure that after the installation the surface of the glass panel frame on the screen-printing zones is not rough when you touch it. Make sure that you put the glass panel in the rubber distance holders.

REPLACING THE LAMP

Put a cloth on the bottom of the interior of the appliance. It prevents damage to the lamp glass cover and the cavity.



WARNING! Danger of electrocution! Disconnect the fuse before you replace the lamp. The lamp and the lamp glass cover can be hot.



CAUTION! Always hold the halogen lamp with a cloth to prevent grease residue from burning on the lamp.

1. Deactivate the appliance.
2. Remove the fuses from the fuse box or deactivate the circuit breaker.

The back lamp

1. Turn the lamp glass cover counterclockwise to remove it.
2. Clean the glass cover.
3. Replace the lamp with a suitable 300 °C heat-resistant lamp.
4. Install the glass cover.

TROUBLESHOOTING



WARNING! Refer to Safety chapters.

WHAT TO DO IF...

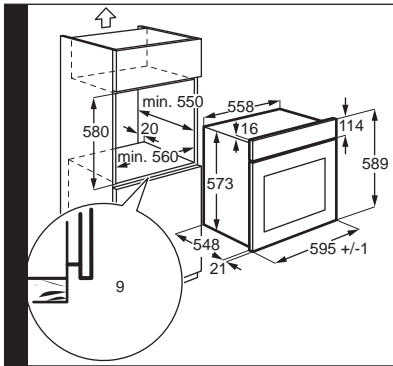
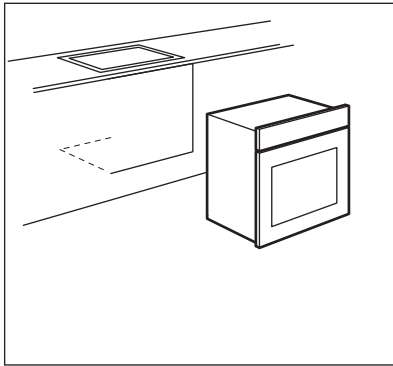
Problem

Possible cause

Remedy

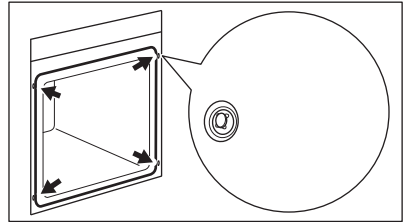
The oven does not heat up.

BUILDING IN



SECURING THE APPLIANCE TO THE CABINET

1. Open the appliance door.
2. Fasten the appliance to the cabinet.
3. Put the four distance holders (A) into the holes in the frame and then tighten the four screws (B) supplied with the appliance.



ELECTRICAL INSTALLATION



The manufacturer is not responsible if you do not follow the safety precautions from the Safety chapters.

This appliance is supplied without a main plug and a main cable.

Applicable types of cables for Europe:

- Minimum size Cable / flex: 1,5 mm²
- Cable / flex type: H07 RN-F, H05 RN-F, H05 RRF, H05 VV-F, H05 V2V2-F (T90), H05 BB-F

Applicable types of cables for UK only

Connection via	Min. size cable / flex	Cable / flex type	Fuse
Oven Control Circuit	2,5 mm ²	PVC / PVC twin and earth	15 A min. 20 A max.



ENERGY EFFICIENCY

PRODUCT FICHE AND INFORMATION ACCORDING TO EU 65-66/2014

Supplier's name	Zanussi
Model identification	ZOA35675WK ZOA35675XK ZOA35676WK ZOA35676XK

Energy Efficiency Index	105.9	
Energy efficiency class	A	
Energy consumption with a standard load, fan-forced mode	0.90 kWh/cycle	
Number of cavities	1	
Heat source	Electricity	
Volume	72 l	
Type of oven	Built-In Oven	
Mass	ZOA35675WK	30.1 kg
	ZOA35675XK	30.1 kg
	ZOA35676WK	30.1 kg
	ZOA35676XK	30.1 kg

